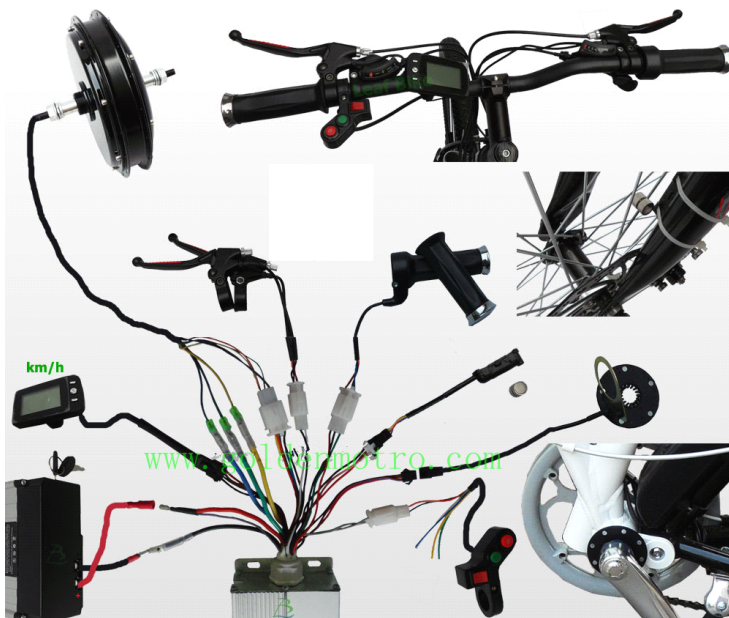


## Details of new USA-KIT 901

### Overview



### Wire Connection



### Contents

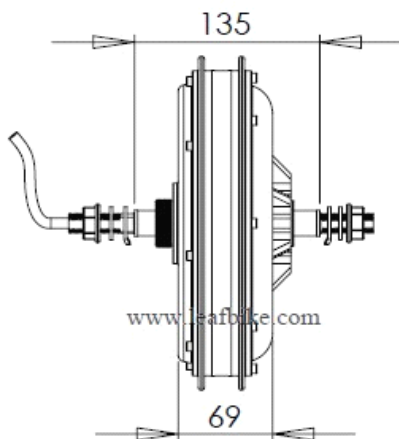
1. 48V1000W Hub Motor(Brushless&Gear)
  2. 6-MOSFET LCD controller 36V/48V
  3. LCD displayer with speed signal wire
  4. Twist Throttle with Battery gauge
  5. Brake Levers
  6. Cruise control function
  7. Pedelec  
(14"/16"/18"/20"/24"/26"/700c/28" Spoked Double Wall Rim))Battery and charger excluded
- Gross Weight: 10kg**  
**Measurement:**  
49cm\*24cm\*49cm(14"/16")  
53cm\*24cm\*53cm(18"/20")  
58cm\*24cm\*64cm(24"/26")  
70cm\*24cm\*66cm(700c/28")

### Main Feature

- Hub motor: brushless geared dc motor
- Controller: LCD display
- Mechanical brake: Disk
- Install: spacing of 135mm fork and 100mm front fork

# Specification

## 1.24v 250W/36V250W Mini Motor(Brushless&Gear)



### Detail:

- Motor type:** brushless gearless dc motor
- Voltage:** 348V
- Power:** 1000W
- Efficiency:**  $\geq 82\%$
- RPM:** 451
- Mechanical brake:** Disk
- Cable location:** shaft end , RIGHT
- Cable length:**110cm / 43"
- Noise:** < 60 db
- Surface:** Black painted
- Net weight:**6.76 kg
- Gross weight:**7.36kg(after packing )

## 2.6-MOSFET LCD controller 36V/48V



### Detail:

- Suitable for Electric for electric bike & scooter**
- Rated Voltage:**48 Volts/
- Rated power:** 1000W
- Min. Voltage:** DC40 $\pm$  0.5 V
- Casing material:** aluminium
- Maximum Current:** 26  $\pm$  1 Amps
- Thermal:** aluminum shell and the substrate

- 3 phase 120° brushless motor**
- Operating Conditions:** -20~45 °C
- Waterproof design**
- Size:**171 mm L  $\times$  82 mm W  $\times$  42 mm H (48V)
- Weight:** 0.66KGS(48V)

### Working with LCD

Display: speed, mileage, battery gauge...

### Functions:

- Mute when start
- Speed limit
- Power cut brake
- Blockage protection
- Current limit protection
- E-ABS brake
- Short circuit protection
- Avoid out of control
- 1:1 pedal assist function
- Undervoltage protection

### Additional features:

- \* Cruise
- \* Reverse
- \* Regen brake
- \* Pedal assist ( 1 - 5 )
- \* Mph / kmh
- \* ....



### 3. Twist Throttle with Battery gauge



#### Detail:

Hall voltage: 0~5V

Cable length: 1800mm / 70"

Red Switch: can control forward / backward, cruise, front & rear lights..

Three LED: 48V DC ( Green, yellow and red leds )

Six Wires: Red, black, white for throttle

Yellow and brown for "ON/OFF" switch

Green for LED

Material: ABS + PVC

Color: black

Used for: electric bike, scooter, tricycle..

#### Package Content:

48V twist throttle

Net Weight: 0.3kg / 0.66 lbs

Package Size: 20.5 cm L × 15.5 cm W × 6.5 cm H / 8" L × 6" W × 2.6" H

Package Type: Cardboard Box

### 4. Brake Levers



#### Detail:

Cable length: 1800mm / 70"

Wire correspond: 2wires for mechanism switch

2\*0.3mm<sup>2</sup>, red & black

Material: bracket ABS+Lever alloy

Color: silver

Used for: electric bike, scooter, tricycle..

#### Package Content:

1 × brake lever

Net weight: 0.28kg / 0.62 lbs

Package Size: 20.5 cm L × 15.5 cm W × 6.5 cm H / 8" L × 6" W × 2.6" H

Package Type: Cardboard Box

## 5. Cruise control function



### Detail:

Cable length: 1800mm / 70"

Wire correspond: 2wires for mechanism switch  
2\*0.3mm<sup>2</sup>, red & black

Material: bracket ABS+Lever alloy

Color: silver

Used for: electric bike, scooter, tricycle..

### Package Content:

1 × BL-002 brake lever

Net weight: 0.28kg / 0.62 lbs

Package Size: 20.5 cm L × 15.5 cm W × 6.5 cm H /  
8" L × 6" W × 2.6" H

Package Type: Cardboard Box

## 6. Pedelec



### Detail:

#### WHAT'S INCLUDED

Pedal assist sensor – with attachment ring, sensor and cable connector for your controller

Magnetic ring – ring to be attached to pedal crank, with high power magnets for the sensor

Magnet: 8 pcs

Cable length: 100cm / 39 inch

Wire correspond: 3 \* 0.3 mm<sup>2</sup> wires ( Brown:  
+4.5V , black: - , yellow: signal )

Material: ABS

Color: black

Package Content: 1 Pedelec

Net Weight: 0.04 kg / 0.9 lbs

Package Size: 20.5 cm L × 15.5 cm W × 6.5 cm H /  
8" L × 6" W × 2.6" H

Package Type: Cardboard Box